



SAFETY SYSTEMS

BURST DISK MONITORS

CATALOG
77-1009
SECTION B



DETEC-SAF™ ALARM SYSTEM

DETEC-SAF™ ALARM SYSTEM

The DETEC-SAF™ Alarm System consists of a Burst-Alert™ Sensor in combination with a Burst Disk Monitor. This combination provides immediate identification of when and where a rupture disk has burst to relieve an over-pressure condition.

BS&B Safety Systems offers a total Alarm System which includes two styles of Burst Disk Monitor — a 2-channel and 8-channel — and a range of Burst-Alert™ Sensors, providing the operator with a choice of equipment which best suits his particular application.

In normal operation a current flows continuously in a "closed" circuit from the Burst-Alert™ Sensor to the Burst Disk Monitor. Once the rupture disk bursts and the sensor is broken, an open circuit is created sending a signal to the Burst Disk Monitor. The Monitor will give an audible and/or visual warning signal. In addition to warning the operator of a burst disk, valves, pumps and other equipment can be activated simultaneously to control or shutdown the process.

The DETEC-SAF™ System can reduce downtime, loss of product and atmospheric contamination by initiating disk replacement.

The System provides centralized monitoring of all disks, including disks in inaccessible locations.

The Burst Disk Monitor Series are designed within the guidelines established in U.L. Publication 913 for Intrinsic Safety and are suitable for use in Class I and II, Division 1, Groups A, B, C, D, E, F and G hazardous locations when properly enclosed, installed and connected.

2-CHANNEL BURST DISK MONITOR *Series BDM 2000 & BDM 1500*

The 2-channel series will monitor one or two remote locations. The sturdy steel cabinet is designed for surface mounting in a general purpose non-hazardous environment. The monitor can be mounted in other configurations such as wall or panel mount and other types of NEMA classified enclosures. The BDM 2000 is an annunciated model with lights and switches for visual and audible warning signals. The BDM 1500 is unannunciated with no external lights and switches. The Burst Disk Monitor utilizes modular construction and components can easily be replaced in the field.

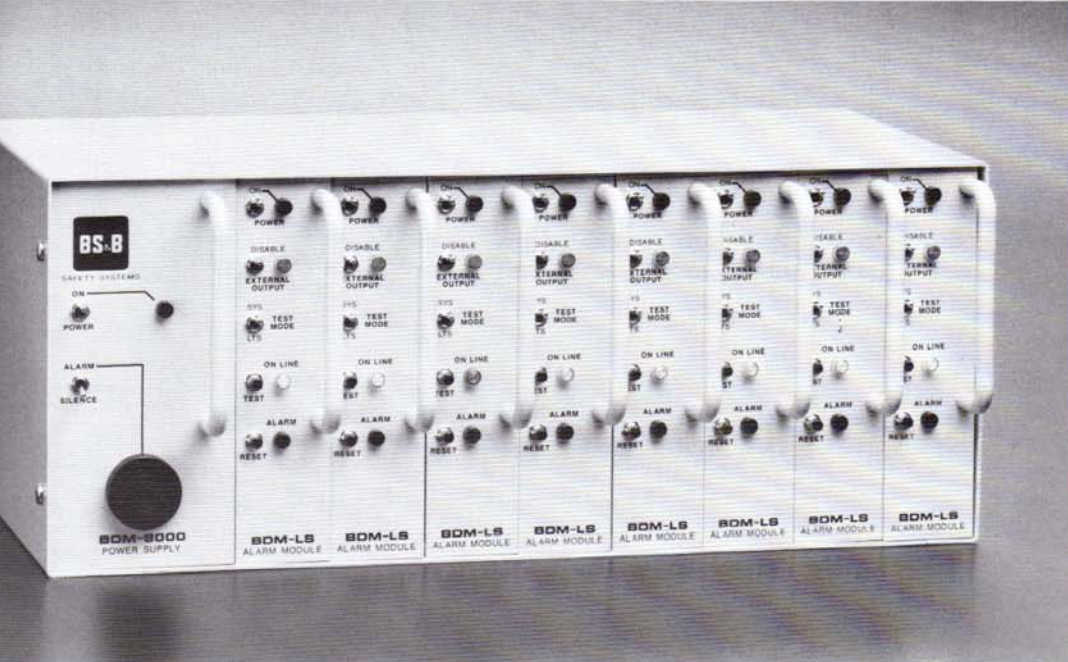


The BDM 2000 utilizes a modular construction. The Power Supply, Alarm Module and Safety Barrier can be easily replaced under field conditions.

For additional information on the Burst-Alert™ Sensor refer to catalog 77-1010.

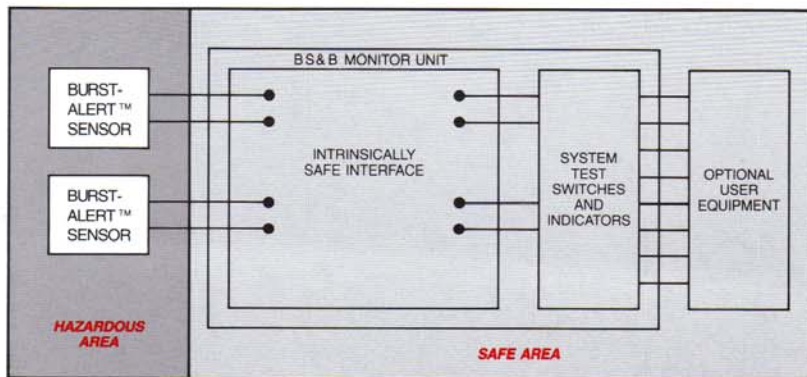
8-CHANNEL BURST DISK MONITOR

Series BDM 8000 & BDM 7500



The 8-channel series will monitor from 1 to 8 remote locations from the same unit. Monitors using less than 8 channels will have blank faces over the unused channels. Modules may then be added as needed. The standard cabinet is designed for surface mounting but other mounting and enclosure options may be specified.

CENTRALIZED MONITORING OF RUPTURE DISK LOCATIONS



The intrinsically safe BS&B Burst Disk Monitor incorporates an approved intrinsically safe interface to enable the burst disk monitoring function to be carried out.



BDM 8000 with Burst-Alert™ Sensors.

Call or write for more information today.



BS&B SAFETY SYSTEMS, L.L.C.
BS&B SAFETY SYSTEMS LTD.

BS&B SAFETY SYSTEMS, L.L.C.
7455 East 46th Street, Tulsa, OK 74145, USA
Tel: 1-918-622-5950. Fax: 1-918-665-3904
Toll Free: 1-800-BSB-DISK
E-mail: mktg@tul.bsbsystems.com
www.bsbsystems.com

BS&B SAFETY SYSTEMS, LTD.
Bay G-1, Raheen Business Park, Limerick, Ireland
Tel: +353 61 227022. Fax: +353 61 227987
E-mail: sales@bsb.ie
www.bsb.ie



SPECIFICATIONS

| | |
|-------------------------------------|---|
| Input Power | 115 / 230 Vac, 50 / 60 HZ |
| Signal Level to Burst-Alert™ Sensor | 5 Vdc @ 20 mA maximum |
| External Output Relays | 10 amps @ 240 Vac maximum, resistive 5 amps @ 240 Vac maximum, inductive |
| Operating Temperature | -40°F to 122°F (-40°C to 50°C) |
| Cabinet | Standard Steel Cabinet meets specifications for NEMA 2 enclosures. Consult Factory for other types. |
| Dimensions | BDM 1500 & 2000 7.13" x 5.87" x 8" BDM 7500 & 8000 7.13" x 17.50" x 8" |
| Mounting | Standard units are designed for surface mounting. Wall or panel mounting options are available. |



NOTE: Products, specifications, and all data in this literature are subject to change without notice. Questions regarding product selection and specifications for specific applications should be directed to BS&B, Attn: Customer Service Dept.