

	FLAME ARRESTER 934-B-T 125 to 300/2x0,7 INSTRUCTIONS FOR OPERATING AND MAINTENANCE	REV 1.0
		Page 1/6

For the flame arrester type 934-B-T/2x0,7 catalogue data sheets as “Dimension sheet”, “Technical data” and “Pressure drop/volume flow charts” are available including the technical data, constructions and dimensions.

1. Use

The flame arrester type 934-B-T/2x0,7 complies with the standard EN 16852:2016 “Flame Arresters-Performance requirements, test methods and limits for use”.

The general suitability as a deflagration and short time-burning flame arrester when used with inflammable gas/air mixture and vapour/air mixture of inflammable liquids of the explosion group IIB3 (gap $\geq 0,65$ mm) had been verified by tests executed at the Institute for Safety Technology IBExU Freiberg. The results of it were confirmed by the issued EC prototype test certificate **IBExU14ATEX2001 X**.

On principle, for all cases of use the placement conditions, especially the following limits for the operating pressure and temperature have to be considered:

- maximum permissible operating pressure : 1,1 bar (absolute)
- maximum permissible operating temperature : 60°C

For the case of an after burn on the flame arrester element the flame arrester is equipped with an integrated temperature sensing element (resistance thermometer). In the case of exceeding the operating temperature by ≥ 60 K a temporary unlimited after burn on the flame arrester element shall be prevented by installing a resistance thermometer in connection with an automatic initiating of emergency functions (interruption or blanketing of the mixture flow).

On delivery of the devices the technical parameter of the flame arrester with stating the EC prototype test certificate number are documented in the works test certificate according to EN 10204. In the declaration of compliance it is referred to the accordance with the harmonized standard EN 16852. The maintenance of the basic safety requirements according to directive 2014/34/EU has been confirmed.

2. Construction

The flame arrester 934-B-T/2x0,7 consists of a casting (2), in which a flame arrester element (1) above set screws (5), hexagon nuts (7) and ring nuts (9) is clamped.

The flame arrester itself consists of a covering flange, a grid cage, a star and two metal foil elements. The foil elements have different directions of winding in its gaps. The gap width amounts 0,7 mm. The metal foils are kept constant on a distance of 2 mm by a clamp and a ring. The welded on nut at the housing flange use to screw in the resistance thermometer (8).

For protection against effects of the weather the flame arrester is equipped with a sheet metal cover (3).

Created By:	RMG	Date: 01.01.14	BS&B FlameSAF Limited, Limerick, Ireland
Approved By:	D. Hennessy	Date: 01.01.14	

	FLAME ARRESTER 934-B-T 125 to 300/2x0,7	REV 1.0
	INSTRUCTIONS FOR OPERATING AND MAINTENANCE	Page 2/6

3. Marking

The information for marking the flame arrester are arranged on the nameplate (page 5/5).
The following data are indicated:

- Name and address of the manufacturer
- Type (including version number)
- Serial number and year of production
- Number of the certificate (EC prototype certificate-no.)
- EN number
- The specific mark for prevention of explosions in connection with the mark indicating the group of devices II, and the letter "G" (for areas where explosive gas, vapour, air mixtures are available)
- Explosion group
- The CE mark with the number of the indicated inspection authority, which act during production

The flame arrester is marked on the outer border of the grid cage, as follows: BS&B-2x0,7

The metal foil is marked at the outermost wound element, as follows:

- name of the manufacturer
- gap width
- material number
- direction of winding

example: BS&B – 0,7 – 1.4571 – R

The housing (2) is marking by a sticker (Page 5/5) with the warning about short time burning.

4. Installation

The arrangement and the installation of the flame arrester into the plant shall be done under observance of the rules applicable to the relevant range of use. Especially the instructions for accident prevention have to be observed.

A vertical installation position of the flame arrester has to be kept under any circumstances.

For assembly or transport the ring nuts (9) have to be used. For this cover (3) has to be dismantled. Special attention has to be paid to the resistance thermometer (8) , if necessary it has to be removed.

The flame arrester is equipped with a flanged connection PN16 – form C or ANSI 150 RF. While flanging be careful that the sealing face is not damaged and that there is no foreign matter or grease between the flanges for no gap to the atmosphere can occur.

For connecting the temperature sensor to the measuring plant the manufacturers installation guidelines for the resistance thermometer and the conditions for guaranteeing the conformity shall be followed. The circuit between the resistance thermometer and the installation for interrupting the mixture inlet or a similar action (emergency function) has to be carried out in that way that the hazardous state will be stopped within 30 seconds after detecting a flame by the resistance thermometer.

Please note: The sheet metal cover is only used for protection of the flame arrester element.
For transportation or installation the flame arrester shall only be moved by using the ring nuts (9).

Created By:	RMG	Date: 01.01.14	BS&B FlameSAF Limited, Limerick, Ireland
Approved By:	D. Hennessy	Date: 01.01.14	

	FLAME ARRESTER 934-B-T 125 to 300/2x0,7 INSTRUCTIONS FOR OPERATING AND MAINTENANCE	REV 1.0
		Page 3/6

5. Maintenance

The maintenance includes a periodic visual control of the flame arrester, especially the flame arrester element with regard to contamination and appearance. The intervals for the maintenance works depend on the operating conditions and the kind how the individual media tend to contamination. They are determined by the operator.

For the purpose of cleansing the flame arrester element shall be dismantled:

The metal sheet cover (3) had to dismantled by loosening the nuts (8). The resistance thermometer (12) is to remove, then the flame arrester element (1) can be removed by disconnecting the distance sockets (4) and loosening the nuts (7) and (9).

In case of minor contamination the flame arrester element shall be blown up with compressed air or hot vapour.

In case of major contamination a flushing with a cleaning agent can be carried out. After cleansing all parts which had been wetted by a cleansing agent shall be blown dry.

The installation of the flame arrester and housing is carried out in reverse order.

During the cleansing works no mechanical modifications may be done on the flame arrester element or on the housing parts of the flame arrester.

On principle, the flame arrester element has to be replaced by a new one, if:

- a fire occurred at the flame arrester element;
- loosening or distortions in the structure of the metal foil elements can be recognized;
- corrosion damages at the metal foil elements have been detected;
- in case of strongly contaminated metal foil elements, even after cleaning, a residual contamination of more than 30 % of the free flow cross-section remained.

All works in connection with the replacement of metal foil elements in a flame arrester element shall be executed only by trained and authorized skilled personnel.

In case of replacement of structural units only original spare parts listed in the spare parts list may be installed to ensure the required safety.

Created By:	RMG	Date: 01.01.14	BS&B FlameSAF Limited, Limerick, Ireland
Approved By:	D. Hennessy	Date: 01.01.14	

	FLAME ARRESTER 934-B-T 125 to 300/2x0,7	REV 1.0
	INSTRUCTIONS FOR OPERATING AND MAINTENANCE	Page 4/6

6. Spare part list

Table : spare parts 934-B-T/2x0,7

Pos. No.	Pipe size	Designation	No.	Material	Order-No..
1	125, 150	Flame arrester element 2x0,7	1	NSt	FET15336191
	200				FET15337125
	250, 300				FET15337250
3	125, 150	Sheet metal cover	1	NSt	FET992729000
	200				FET994747000
	250, 300				FET992722000
12	125 bis 300	Resistance thermometer	1	NSt	FET662026620

Material marks

St ... steel	NSt ... stainless steel
--------------	-------------------------

Created By:	RMG	Date: 01.01.14	BS&B FlameSAF Limited, Limerick, Ireland
Approved By:	D. Hennessy	Date: 01.01.14	

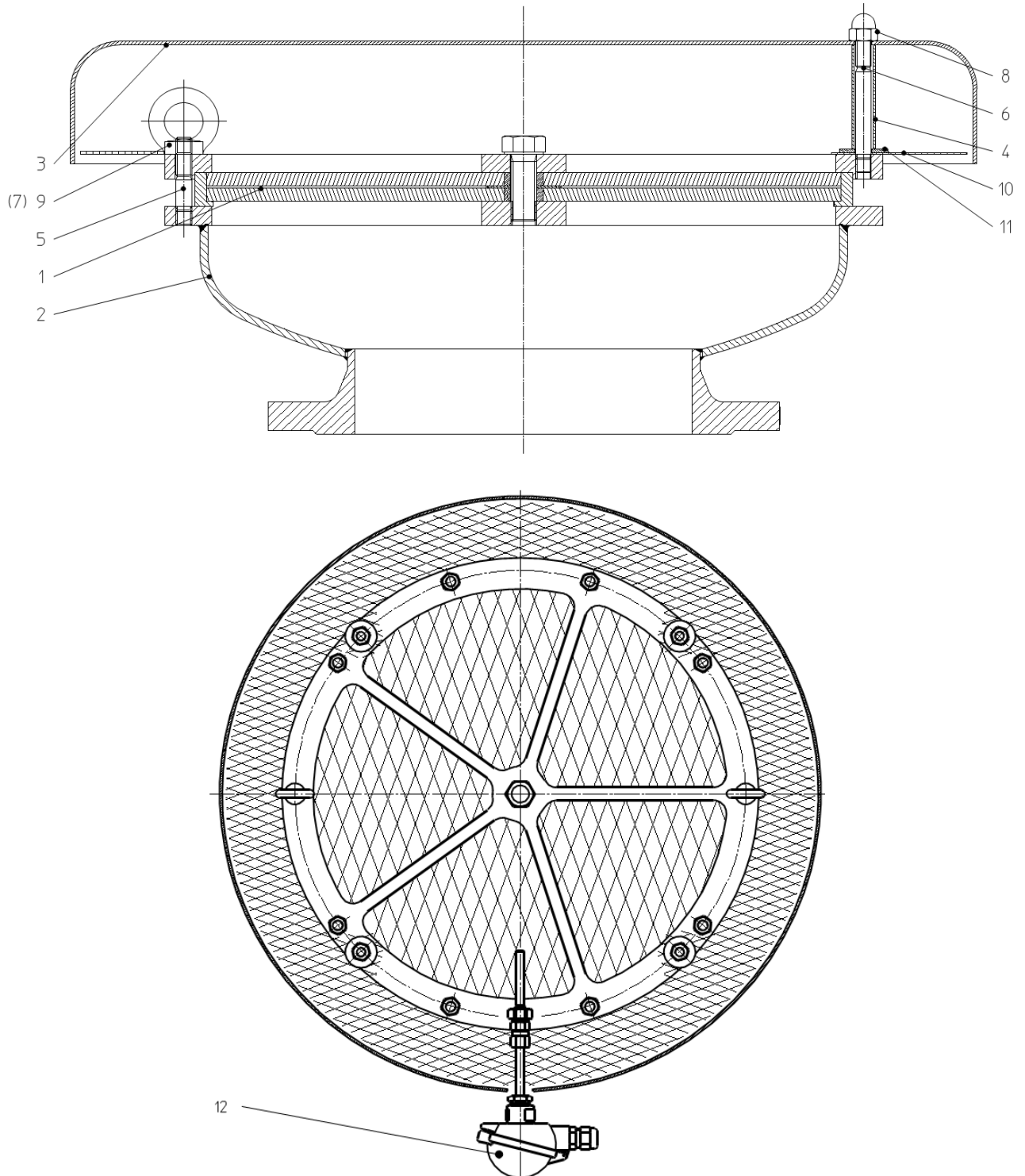


FLAME ARRESTER
934-B-T 125 to 300/2x0,7
INSTRUCTIONS FOR OPERATING AND MAINTENANCE

REV 1.0

Page 5/6

Assembly Drawing 934-B-T/2x0,7



Created By:	RMG	Date:	01.01.14	BS&B FlameSAF Limited, Limerick, Ireland
Approved By:	D. Hennessy	Date:	01.01.14	



FLAME ARRESTER
934-B-T 125 to 300/2x0,7
INSTRUCTIONS FOR OPERATING AND MAINTENANCE

REV 1.0

Page 6/6

Inscription adhesive label

Note : This flame arrester is safe for short time burning !
Please refer to operating and maintenance instructions !

Created By:	RMG	Date: 01.01.14	BS&B FlameSAF Limited, Limerick, Ireland
Approved By:	D. Hennessy	Date: 01.01.14	