	<b>Flame Arrester</b> <b>933-S250.1/6x0,2</b> <b>Instructions for Operating and Maintenance</b>	<b>REV 1.0</b>
		<b>Page 1/7</b>

This Instruction for Operating and Maintenance is applicable for the following flame arrester model:

Table: Type description

Nominal width	Type	EC-Type Examination Certificate Number
DN250 / 10"	933-S250.1/6x0,2	IBExU15ATEX2056 X

The data sheet with dimensions and the pressure drop/volume flow rate diagram are available.

## 1. Use

The said model of the series 1 with flange joint of the nominal width DN250 meet the requirements of the European Guideline 2014/34/EU and the harmonised standard for flame arresters EN ISO 16852:2016 as the autonomous protection systems for correct use in explosive zones.

Its general suitability as an **in-line deflagration flame arrester** for use in inflammable gas/air mixtures and vapour/air mixtures of inflammable liquids of explosion group IIC (standard gap width < 0,50 mm) was proved in a test at the Institut für Sicherheitstechnik GmbH IBExU Freiberg as EUROPEAN NOTIFIED BODY no. 0637 according to Article 9 of the Guideline 2014/34/EU.

For preventing a flame transmission, these in-line deflagration flame arrester can be used in atmospheric conditions [pressure: 0,8 bar (absolute) to 1,1 bar (absolute), temperature: -20°C to +60°C] for protection against deflagrations and short time burning at the flame arresters for explosive vapour/gas-air mixtures of the explosion group IIC.

Furthermore, the limit values according to Table 1 for the maximum permissible operating pressure  $p_0$  considering the maximum permissible operating temperature  $T_0$  and the maximum permissible distance for potential source of ignition  $L_u$  must be adhered to:

Table 1: Limits for the operating status

Nominal width	$p_0$ MPa (absolute)	$T_0$ °C	$L_u$ m (Meter)
DN250 / 10"	0,12	60	7,50

The flame arrester can be equipped in the case of stabilized burning on the flame arrester element with one or more integrated temperature sensors (resistance thermometers) on both the sides.


A stabilized burning on the flame arrester element must be stopped by installing an integrated temperature sensor (resistance thermometer) at the unprotected side of the flame arrester in connection with an automatic triggering of emergency functions (interruption or inertisation of the mixture flow) when the operation temperature of  $\geq 20$  K is exceeded.

The maximum permissible burning duration  $t_{BT}$  for short time burning at the flame arrester is 1 min.

With the delivery of the flame arrester, the technical parameters are documented along with the EC-Type Examination Certificate Number in the respective factory test certificate.

In the declaration of compliance, the adherence to the Essential Health and Safety Requirements is confirmed in accordance with the standards EN ISO 16852:2016 and EN 1127-1:2007.

Created By:	RMG	Date: 01.04.15	<b>BS&amp;B FlameSAF Limited, Limerick, Ireland</b>
Approved By:	D. Hennessy	Date: 01.04.15	

	<b>Flame Arrester</b> <b>933-S250.1/6x0,2</b>	<b>REV 1.0</b>
	<b>Instructions for Operating and Maintenance</b>	<b>Page 2/7</b>

## 2. Construction

The flame arrester comprises two covers (1) and (2), between the flame arrester element (3) is clamped, there are O-ring seals (4) for external sealing and connecting elements threaded bolt (5) and hexagon nut (6) with protection cap (7).

The flame arrester's (3) grid cage (8) has six metal foil elements (9) and (10) with varying winding direction: (9)- turned right, (10)- turned left.

The metal foil elements are made of one crimped and one flat ribbon of 10 mm width and 0,10 mm thickness. The ribbons are rolled along each other in compact layers and build a triangular channel in the centre with a maximum height of 0,2 mm.

The metal foil elements are kept apart with clip (11) and spacer (12) and are fastened axially with the stars (13) and (30) using the screw (14). The screw (14) is secured against loosening with the help of safety washer (15) and adhesive on the thread.

Using two lifting eyes (17), lifted through threaded bolts (5), the flame arrester element (3) is positioned between the covers (1) and (2).

On the inner sides of the cover flanges some connecting screws have additional nuts (6) and washers (18) which enable an axial constricting for dismantling the flame arrester element (3).

Two threaded holes on the cover (1) are sealed with screw plug (19) and accompanying sealing ring (20). The screw plug on the bottom serves as condensation outlet; the screw plug on the upper flange is replaced on site along with the sealing by a resistance thermometer (21).

In case of use of resistance thermometer, two covers (1) are used on both the sides of the flame arrester.

On customer's demand there will be threaded holes M10x1 for pressure measuring on the inlet and outlet flange which are closed by screw plug (22) and sealing ring (23).

## 3. Marking

Information with which the flame arrester system is identified is mentioned on the type label (Item 25) and warning sign (Item 26). The following details are provided:


### TYPE LABEL

- name and address of the manufacturer
- type identification according to "Table: Type description"
- number of the certificate (EC-Type Examination Certificate Number) according to "Table: Type description"
- factory number with year of manufacture
- the international standard for flame arresters: "ISO 16852"
- the special mark for prevention of explosions and alphabet 'G' (for areas that have explosive gas, vapour, air-mixtures)
- explosion group IIC
- CE mark with number of the indicated inspection office for production monitoring phase: „2460“

### WARNING SIGN

- the word "Warning" with the note "Flame arresters have installation and application limits. Type design in accordance with ISO 16852"
- the sign "DEF" for deflagration flame arresters
- the ratio  $L_w/D = 30$  (max. distance from source of ignition/pipe diameter = 30)

<b>Created By:</b>	<b>RMG</b>	<b>Date: 01.04.15</b>	<b>BS&amp;B FlameSAF Limited, Limerick, Ireland</b>
<b>Approved By:</b>	<b>D. Hennessy</b>	<b>Date: 01.04.15</b>	

	<b>Flame Arrester</b> <b>933-S250.1/6x0,2</b>	<b>REV 1.0</b>
	<b>Instructions for Operating and Maintenance</b>	<b>Page 3/7</b>

- the mark “BC” for stabilized burning plus the classification “b” for short time burning or “c” for no burn time; if “b” has been specified, then there will be an additional mention of the burning duration  $t_{BT} = 1 \text{ min}$
- the explosion group IIC
- the maximum operating temperature  $T_0 = 60^\circ\text{C}$
- the maximum operating pressure  $p_0 = 0,12 \text{ MPa}$

The flame arrester has an easily visible stamp on the grid cage (8): “BS&B-6x0,2”

The metal foil element is labelled on the external ribbon as:

- short name of the manufacturer
- gap width
- material number
- direction of winding

Example: "BS&B-0,2-1.4571-R"

The parts tested for leak proofness and strength are indicated through a stamp.

The saved side is marked by a red sticker.

Option: If the flame arrester has a resistance thermometer, the cover (1) has an adhesive label (27) with warning notice for short time burning.

#### 4. Installation

The positioning and installation of the flame arrester in the plant must take place under the purview of the directives applicable at the place of use; it is particularly imperative to follow the accident prevention directives of the area of installation.

The flange covers must be removed before installing in the pipeline.


The criteria mentioned in the EC-Type Examination Certificate under Point [17] - Special conditions for safe use - related to the installation must be adhered to. It is especially important to check the use of resistance thermometer for signalling stabilized burning at the flame arrester.

The following assembly instructions must be observed:

- The flame arrester must be installed only on those pipelines, whose pipe diameter
  - on the unprotected side shall be no greater than the flame arrester connection
  - on the protected side shall be no less than the pipe diameter on the unprotected side
- The distance between potential source of ignition and place of installation in the pipeline must not exceed the ratio of  $L_w/D = 30$ .
- If a continuous burning at the flame arrester cannot be ruled out, at least one resistance thermometer must be installed at the source of ignition side. The mark (red point) on the cover (2) indicates the connection side to be connected with the system component to be protected against flame transmission. If continuous burning is expected on both sides of the flame arrester, one temperature sensor must be installed at both sides.

The flame arrester are fundamentally equipped with connecting flanges according to ISO 7005-1 (steel flanges) in the pressure level PN10, PN16 or PN20. The pressure level PN20 is compatible with the American flange class 150 RF according to ANSI B16.5. If required, the flange connections can also be delivered in accordance with the Japanese industrial standard JIS B 2220.

<b>Created By:</b>	<b>RMG</b>	<b>Date: 01.04.15</b>	<b>BS&amp;B FlameSAF Limited, Limerick, Ireland</b>
<b>Approved By:</b>	<b>D. Hennessy</b>	<b>Date: 01.04.15</b>	

	<b>Flame Arrester</b> <b>933-S250.1/6x0,2</b> <b>Instructions for Operating and Maintenance</b>	<b>REV 1.0</b>
		<b>Page 4/7</b>

Flat seals with sealing rated value of  $k_0K_D \leq 25b_D$  are recommended for the flange connections. While installing flanges, it must be ensured that the seal faces are not damaged and there are no foreign bodies or dust between the flanges so that there are no gaps. The system should be checked thoroughly for proper sealing before commissioning it. The test pressures of the flame arrester specified in the test certificate must not be exceeded.

Vertical as well as horizontal installation on the system is permissible.

The flame arrester must not be a bed for the pipe and should be installed with low-stress.

For dismantling the resistance thermometer assembly clearance is necessary with at least the measurements given in Table 2 (see Spare part drawing).

Table 2: Dismantling dimension D and E and weight of the stainless steel flame arrester element (3)

<b>DN</b>		<b>250</b>
<b>D</b>	<b>mm</b>	670
<b>E</b>	<b>mm</b>	970
<b>Weight</b>	<b>kg</b>	110

The assembly of the resistance thermometer delivered separately from the flame arrester must take place by replacing the screw plug in the corresponding threaded hole of the cover flange with corresponding sealing. The screwing must be secured against accidental loosening in the thread with adhesive "Loctite 221".

The assembly guidelines of the resistance thermometer's manufacturer and the conditions for ensuring the conformity must be adhered to while connecting the temperature sensor to the measurement system. The switching between resistance thermometer and the device for stopping mixture flow or a similar measure (triggering emergency function) must take place in such a way that within 30 sec after the identification of the flame by the resistance thermometer, the risk status is recognised.

## 5. Maintenance

The maintenance includes a periodic visual inspection of the flame arrester, in particular the metal foil elements, with respect to contamination and consistency and a periodic functions check of the resistance thermometer. The time intervals for maintenance works depend on the operating conditions and contaminating level of the individual media and must be decided by the operator.

For cleaning works the flame arrester element has to be taken out of the plant. Therefore, the weight according to Table 2 shall be taken into consideration.

Check the status of the sealing (4) after the disassembly.

In case of negligible contamination the flame arrester element (3) shall be blown up with compressed air or hot steam against the operating flow.

If the contamination level is high or there are sticky impurity to the surface of the metal foil element, rinsing with a cleaning agent may also be considered. However, all parts covered in the cleaning agent must then been blown dry.

Ensure that no mechanical modifications are made to the metal foil elements and housing parts of the flame arrester during the cleaning works. Check that screw (14) is secured and fastened properly (Table 3).

<b>Created By:</b>	<b>RMG</b>	<b>Date: 01.04.15</b>	<b>BS&amp;B FlameSAF Limited, Limerick, Ireland</b>
<b>Approved By:</b>	<b>D. Hennessy</b>	<b>Date: 01.04.15</b>	

Table 3: Fastening torque of the screw joint (5), (6)

<b>DN</b>		<b>250</b>
<b>Torque</b>	<b>Nm</b>	250

Explosions along with stabilized burning at the flame arrester element lead to considerable mechanical and thermal stress. If changes in the foil element structure are visible during a fire on the flame arrester element or the coils have unwound, the flame arrester must be replaced.

The flame arrester element must be replaced by a new one if

- there was a fire on the flame arrester element
- slackening or slipping in the structure of the metal foil elements is visible
- there are visible damages on the metal foil elements from corrosion
- a visible residual contamination of more than 30% of the free flow area has remained despite cleaning a very dirty metal foil element

All works in connection with the cleaning and replacement of flame arrester element shall be executed only by trained and authorized skilled personnel.

Check the functionality of the resistance thermometer after a fire on the flame arrester.

While replacing the sealing (4), ensure that they are lightly lubricated with conventional silicon grease (order no. 00 027 079); they must be protected from damage during the assembly.

The hexagon screws (5) must also be lightly greased with silicon grease around the threads and fastened with the torque specified in Table 4.


Table 4: Fastening torque of the screw joint (5), (6)

<b>DN</b>		<b>250</b>
<b>Torque</b>	<b>Nm</b>	180

Check the external sealing of all pressurised flange and threaded joints.

It is recommended to keep one suitable spare flame arrester element (3) for every flame arrester in use.

While replacing components, use only the original spare parts listed in the Spare parts list to ensure safety.

	<b>Flame Arrester</b> <b>933-S250.1/6x0,2</b> <b>Instructions for Operating and Maintenance</b>	<b>REV 1.0</b>
		<b>Page 6/7</b>

## 6. Spare parts list

Table 5: Spare parts DN250

Item No.	Designation	No.	Material	Order-No.
				DN250
3*	Flame arr. element 6x0,2 Flame arr. element 6x0,2-N Flame arr. element 6x0,2-VF	1	NSt	FET15537040 FET15537040N FET15537040VF
4*	O-ring	2	NBR FPM FEP	802084500 802091700 802093300
5	Threaded bolt	10	St NSt	222051923 222052123
6	Hexagon nut	18	St NSt	201521839 201542723
7	Protection cap	20	K	722044300
18	Washer	8	St NSt	302034300 302049700
19	Screw plug	2	St NSt	215031200 212097500
20*	Sealing	2	LM PTFE	504650200 532036000
21*	Ex(i)-thermometer 3-wire 4-wire 3-wire + transmitter	1	NSt	662037020 662068423 662071523
22	Screw plug	2	St NSt	215130500 212025100
23*	Sealing	2	LM PTFE	504580700 532037700

Note: Parts marked with \* shall be available for maintenance works.

### Material marks

St ... steel	LM ... light metal	FPM ... Viton
NSt ... stainless steel	K ... plastic	NBR ... Perbunan (N)
FEP ... Fluoro-plastic (VF)	PTFE ... Fluoro-plastic	

<b>Created By:</b>	<b>RMG</b>	<b>Date:</b> 01.04.15	<b>BS&amp;B FlameSAF Limited, Limerick, Ireland</b>
<b>Approved By:</b>	<b>D. Hennessy</b>	<b>Date:</b> 01.04.15	

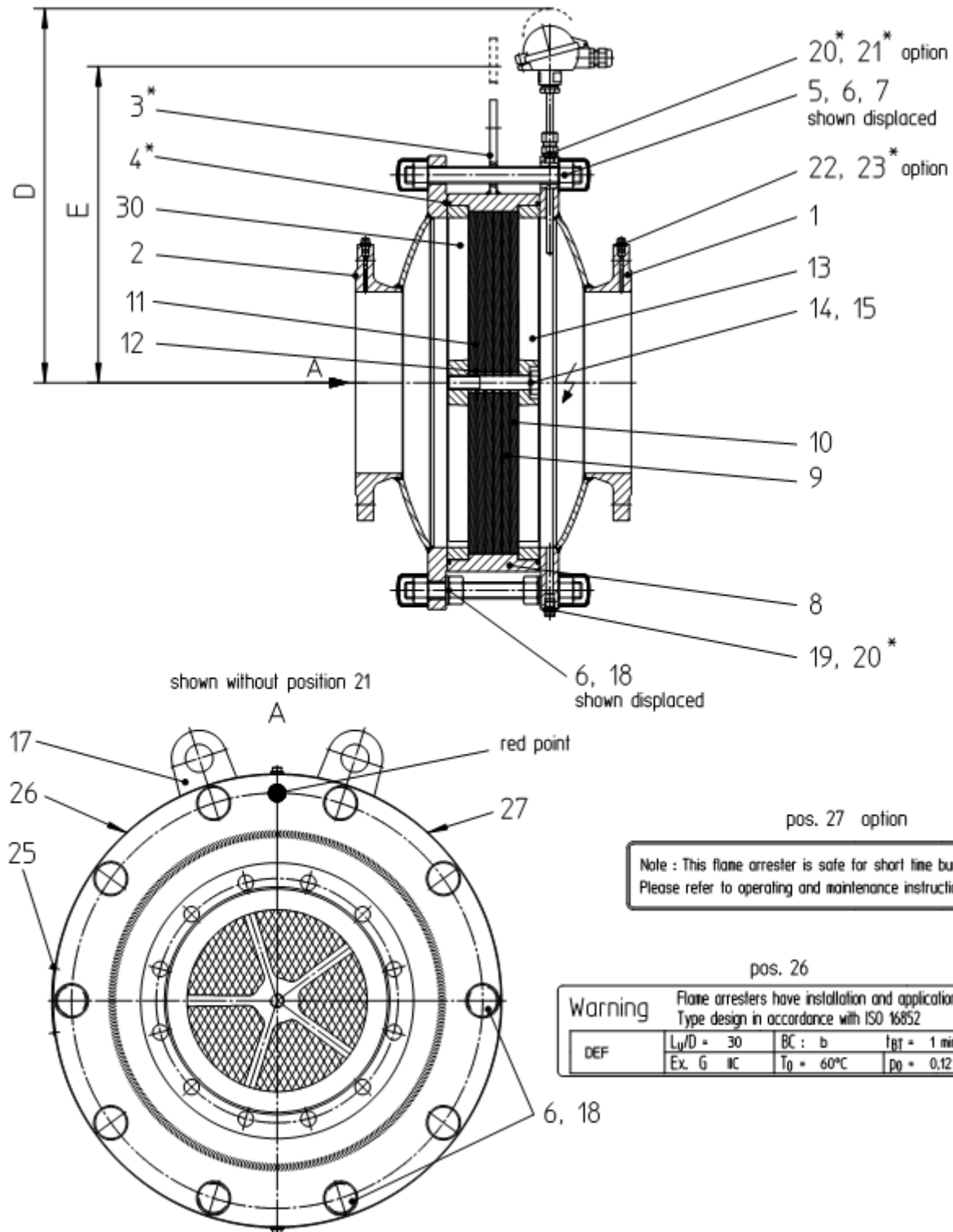


**Flame Arrester**  
**933-S250.1/6x0,2**  
**Instructions for Operating and Maintenance**

REV 1.0

Page 7/7

Spare part drawing



Note : This flame arrester is safe for short time burning !  
 Please refer to operating and maintenance instructions !

Warning

Flame arresters have installation and application limits.  
 Type design in accordance with ISO 16852

DEF	$L_v/D = 30$	BC : b	$t_{gr} = 1 \text{ min}$
Ex. G IC		$T_0 = 60^\circ\text{C}$	$p_0 = 0,12 \text{ MPa}$

Note: Parts marked with \* shall be available for maintenance works.  
 Dimension D and E are dismantling dimensions.

Created By:	RMG	Date:	01.04.15	<b>BS&amp;B FlameSAF Limited, Limerick, Ireland</b>
Approved By:	D. Hennessy	Date:	01.04.15	